



Sensor Data Transmitter via WiFi

RN172WC

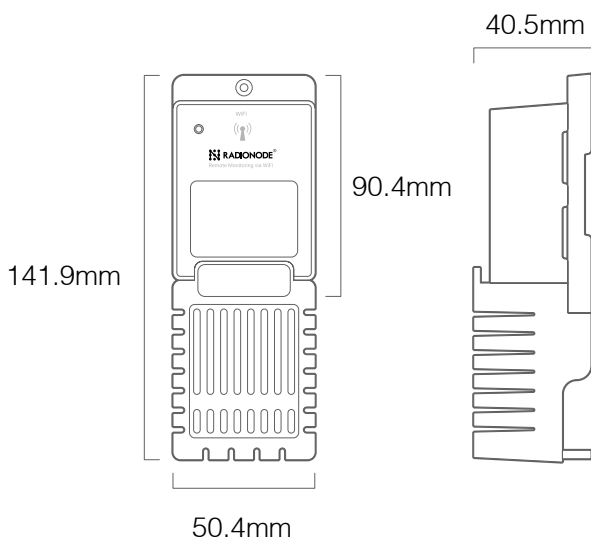
- Support Variable UA Sensors
- Support WiFi (WiFi IEEE 802.11 b,g)
- 4 Digit LED Display, 2 Lines
- Support MODBUS TCP, HTTP, Cloud Storage
- Alerts (Text Message, Voice Call)
- Internal Sound Buzzer



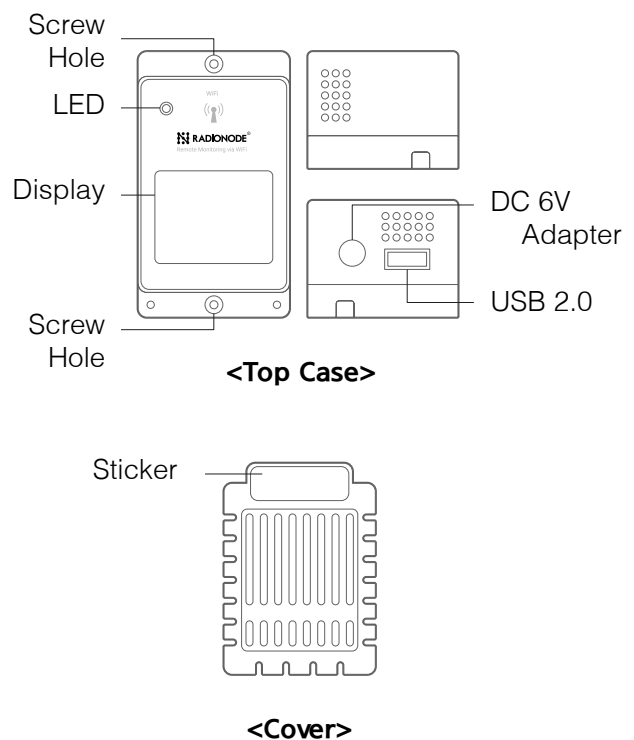
The RN172WC device is designed to transmit the measured gases or thermal data via WiFi to the destination. The destination would be an information system such as public cloud, local server, and even PC.

The RN172WC device has a display on the front to show the data value and it has an alarm output with the range threshold values. Data can be transmitted to the user's server through MODBUS TCP and HTTP communication. In addition, with the cloud-based web monitoring service Radionode365, you can use a real-time dashboard, emergency SMS/Voice alarm, report generation and mail delivery scheduling function

Dimensions



Hardware



Contact Information

- www.radionode365.com
- master@dekist.com



Sensor Data Transmitter via WiFi

RN172WC Specification

Size	Body: H 90.4 x W 50.4 x D 35.1mm +Cover: H 141.9 x W 50.4 x D 40.5mm
Communication protocol	WiFi IEEE 802.11 b,g (WEP,WPA,WPA2)
HTTP transmission protocol	RADIONODE PROTOCOL V2 (Open Protocol) HTTP GET/POST
MODBUS TCP	PORT 502, HOLDING REGISTER (03)
Selective Sensors (UA Series)	<ul style="list-style-type: none"> • Thermal: Temp/RH , TC-T, TC-K, PT100 • Gas: Total Volatile Organic Compounds, Oxygen, Carbon dioxide, Carbon monoxide, Sulfur dioxide, Nitrogen dioxide, Ammonia, Hydrogen Sulfide, Hydrogen Chloride, EthyleneOxid, Ethylene • Transmitter: 4-20mA, 0-20mA, 0-1V
SMS Alert	Support Radionode365 Cloud (dedicated to Radionode)
Phone call Alert	Support Radionode365 Cloud (dedicated to Radionode)
Cloud Monitoring & Storage	Support Radionode365 Cloud (dedicated to Radionode)
Data transmission interval	Every minute (minimum)
Telnet/ Broadcasting	TCP Port 23/UDP Port 50000
Power consumption	DC6V (1.9W)
Buzzer	YES. Threshold alarm Setting on the Device
LED	Two color (Red/Green)
USB port	For product configuration by connecting to a PC For UA series connection
Display	LED display on the front for display data /IP addr./iCODE
Mounting	Screw X 2
Software Support	<ul style="list-style-type: none"> • Radionode365 Cloud-based web Software Sign-in: s2.radionode365.com • Tapaculo Lite 128CH recording software on PC Download: www.radionode365.com • User Own Software (via Radionode V2 protocol)

Application

- Food storage (refrigerator, freezer)
- Bio Labs / GMP Facilities
- Safety Gas Monitoring
- Building energy management
- Semiconductor production line

Product Components

Model	Component
RN172WC	<ul style="list-style-type: none"> • RN172WC(1EA) • Sensor protection cover • USB cable for setting • 6V DC Adapter • Sensor tag sticker • Product Quick Guide

Accessories

Type	Model Number	Spec.
Film Cable	RG40	<ul style="list-style-type: none"> • Film-type USB extension cable • Port material: PC, ABS • Cable length: 50cm
UA Sensor	UA1X UA20 UA5X	<ul style="list-style-type: none"> • UA1X Temperature Sensor UA10 (Temp/RH), UA11 (T/C), UA13 (PT100) • UA20 4-20mA(0-20mA) / 0-1V Transmitter UA20-A (4-20mA, 2CH), UA20-B (4-20mA, 1CH, V out: 12V), UA20-C (0-1V) • UA5X Gas Sensor UA50 (tVOC) UA52-O2, UA52-CO2, UA53-CO, UA53-SO2, UA53-NO2 UA54-NH3, UA54-H2, UA54-HCL, UA54-EO, UA54-C2H4 UA59-CO2